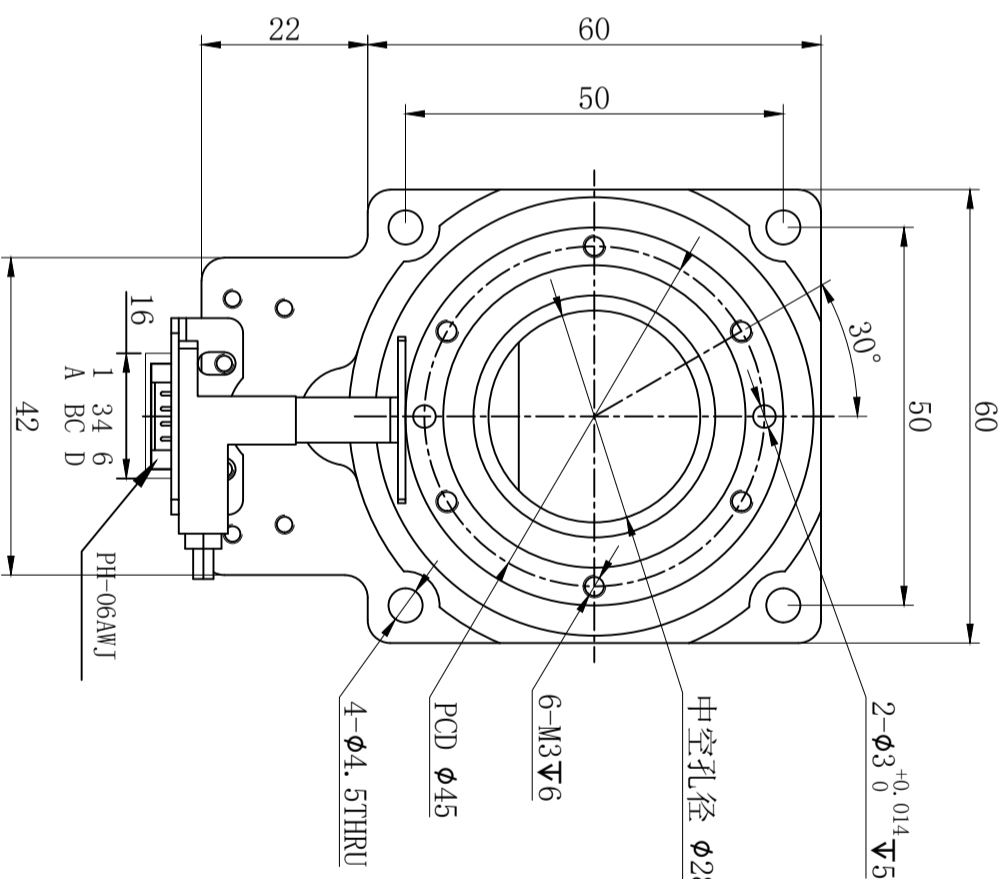
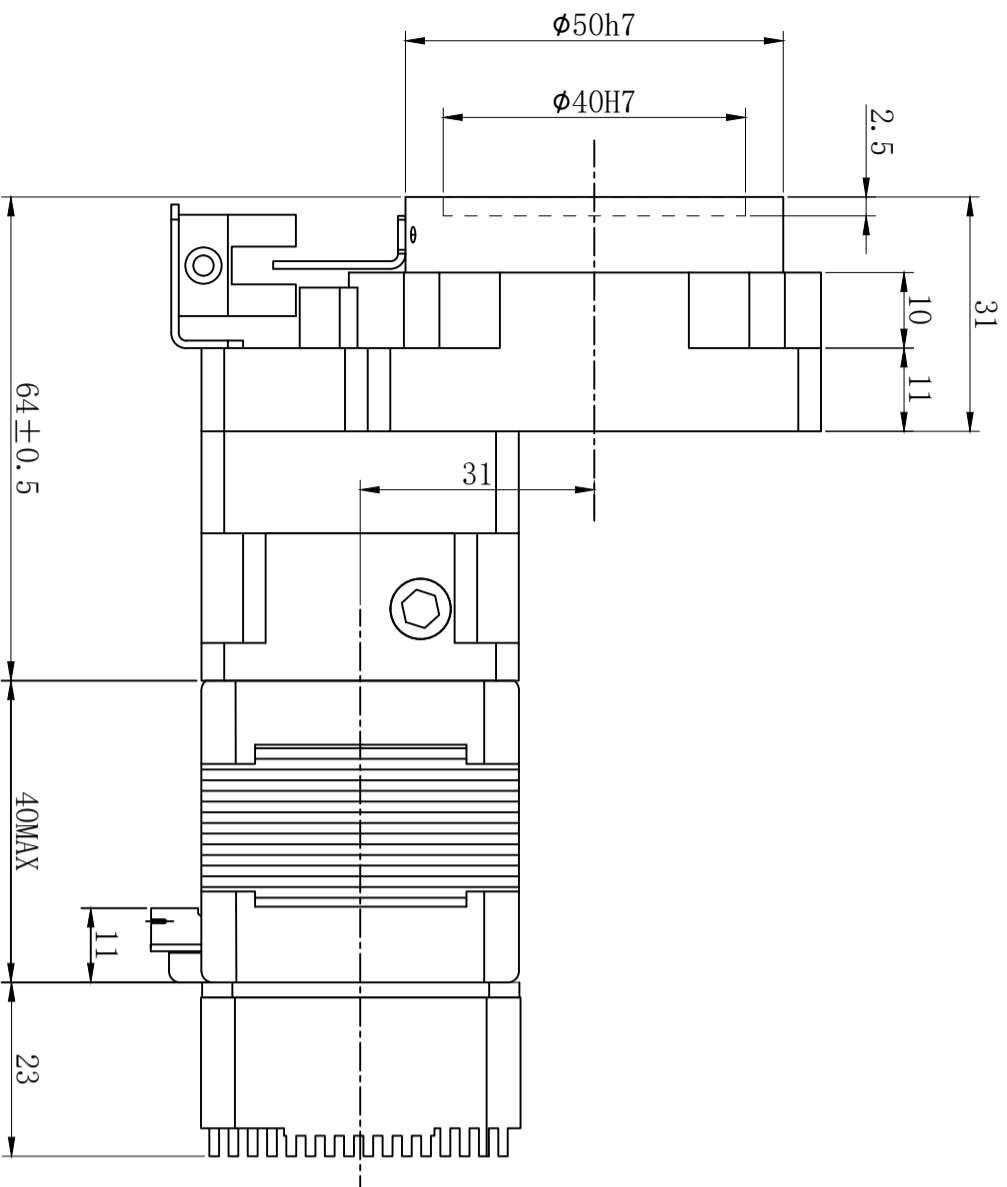


Z4R71-WJ01KJ09-81FCSH74D

版本 (Versions)	修改内容 (Description)	标记 (REV)	日期 (Date)
A0	首次发布	*	2025.08.28
	S 技术部		



**character 特性**

character 特性	specifications 规格
减速比 Ratio	10:1
相数 Number of phase	2
步距角 Step Angle	1.8°
额定电压 Rated Voltage	DC 2.8V
额定电流 Rated current	DC 1.68A
保持转矩 Holding Torque	≥ 380mN·m
相电阻 Winding resistance	1.65±10% ohm(20°C)
相电感 Winding inductance	3.2±20% mH (1kHz)
转动惯量 Rotor Inertia	50 g·cm²
电机重量 Weight	0.85 Kg
绝缘等级 Insulation class	B Class

**LMOT**

重庆优摩特科技有限公司  
Chongqing Umot technology Co. Ltd.

**励磁顺序 vs. 旋转方向**  
Exciting Sequence vs. Direction of Rotation

STEP	A	B	C	D
1	+	+	-	-
2	-	+	+	-
3	-	-	+	+
4	+	-	-	+

从安装面看为顺时针方向  
Clockwise view from mounting side

**未注线性尺寸公差**

Tolerance for linear and dimensions without individual tolerance indications  
GB/T 1804-M eqv ISO 2768-1:M

**未注形位尺寸公差**

Geometrical tolerance for features without individual tolerance indications  
GB/T 1184-K eqv ISO 2768-2:K

**批准 Approved**

工艺 Technology	
审核 Checked	
设计 Inspectide	
名称 Names	
签名 Signature	
日期 Date	

**物料编号**  
Item No

重庆优摩特科技有限公司  
Chongqing Umot technology Co. Ltd.

**绝缘等级**  
Insulation class

B Class

**电机重量**  
Weight

0.85 Kg

**相电阻**  
Winding resistance

1.65±10% ohm(20°C)

**相电感**  
Winding inductance

3.2±20% mH (1kHz)

**转动惯量**  
Rotor Inertia

50 g·cm²

**保持转矩**  
Holding Torque

≥ 380mN·m

**额定电压**  
Rated Voltage

DC 2.8V

**额定电流**  
Rated current

DC 1.68A

**步距角**  
Step Angle

1.8°

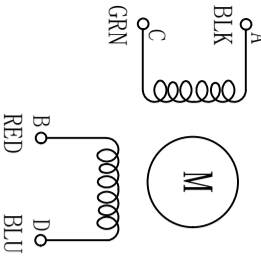
**相数**  
Number of phase

2

**减速比**  
Ratio

10:1

**电气原理图**  
winding drawing



**励磁顺序 vs. 旋转方向**  
Exciting Sequence vs. Direction of Rotation

STEP	A	B	C	D
1	+	+	-	-
2	-	+	+	-
3	-	-	+	+
4	+	-	-	+

从安装面看为顺时针方向  
Clockwise view from mounting side

**未注线性尺寸公差**

Tolerance for linear and dimensions without individual tolerance indications  
GB/T 1804-M eqv ISO 2768-1:M

**未注形位尺寸公差**

Geometrical tolerance for features without individual tolerance indications  
GB/T 1184-K eqv ISO 2768-2:K

**批准 Approved**

工艺 Technology	
审核 Checked	
设计 Inspectide	
名称 Names	
签名 Signature	
日期 Date	

**物料编号**  
Item No

重庆优摩特科技有限公司  
Chongqing Umot technology Co. Ltd.

**绝缘等级**  
Insulation class

B Class

**电机重量**  
Weight

0.85 Kg

**相电阻**  
Winding resistance

1.65±10% ohm(20°C)

**相电感**  
Winding inductance

3.2±20% mH (1kHz)

**转动惯量**  
Rotor Inertia

50 g·cm²

**保持转矩**  
Holding Torque

≥ 380mN·m

**额定电压**  
Rated Voltage

DC 2.8V

**额定电流**  
Rated current

DC 1.68A

**步距角**  
Step Angle

1.8°

**相数**  
Number of phase

2

**减速比**  
Ratio

10:1

**电气原理图**  
winding drawing



**励磁顺序 vs. 旋转方向**  
Exciting Sequence vs. Direction of Rotation

STEP	A	B	C	D
1	+	+	-	-
2	-	+	+	-
3	-	-	+	+
4	+	-	-	+

从安装面看为顺时针方向  
Clockwise view from mounting side

**未注线性尺寸公差**

Tolerance for linear and dimensions without individual tolerance indications  
GB/T 1804-M eqv ISO 2768-1:M

**未注形位尺寸公差**

Geometrical tolerance for features without individual tolerance indications  
GB/T 1184-K eqv ISO 2768-2:K

**批准 Approved**

工艺 Technology	
审核 Checked	
设计 Inspectide	
名称 Names	
签名 Signature	
日期 Date	

**物料编号**  
Item No

重庆优摩特科技有限公司  
Chongqing Umot technology Co. Ltd.

**绝缘等级**  
Insulation class

B Class

**电机重量**  
Weight

0.85 Kg

**相电阻**  
Winding resistance

1.65±10% ohm(20°C)

**相电感**  
Winding inductance

3.2±20% mH (1kHz)

**转动惯量**  
Rotor Inertia

50 g·cm²

**保持转矩**  
Holding Torque

≥ 380mN·m

**额定电压**  
Rated Voltage

DC 2.8V

**额定电流**  
Rated current

DC 1.68A

**步距角**  
Step Angle

1.8°

**相数**  
Number of phase

2

**减速比**  
Ratio

10:1

**电气原理图**  
winding drawing



**励磁顺序 vs. 旋转方向**  
Exciting Sequence vs. Direction of Rotation

STEP	A	B	C	D
1	+	+	-	-
2	-	+	+	-
3	-	-	+	+
4	+	-	-	+

从安装面看为顺时针方向  
Clockwise view from mounting side

**未注线性尺寸公差**

Tolerance for linear and dimensions without individual tolerance indications  
GB/T 1804-M eqv ISO 2768-1:M

**未注形位尺寸公差**

Geometrical tolerance for features without individual tolerance indications  
GB/T 1184-K eqv ISO 2768-2:K

**批准 Approved**

工艺 Technology	
审核 Checked	
设计 Inspectide	
名称 Names	
签名 Signature	
日期 Date	

**物料编号**  
Item No

重庆优摩特科技有限公司  
Chongqing Umot technology Co. Ltd.

**绝缘等级**  
Insulation class

B Class

**电机重量**  
Weight

0.85 Kg

**相电阻**  
Winding resistance

1.65±10% ohm(20°C)

**相电感**  
Winding inductance

3.2±20% mH (1kHz)

**转动惯量**  
Rotor Inertia

50 g·cm²

**保持转矩**  
Holding Torque

≥ 380mN·m

**额定电压**  
Rated Voltage

DC 2.8V

**额定电流**  
Rated current

DC 1.68A

**步距角**  
Step Angle

1.8°

**相数**  
Number of phase

2

**减速比**  
Ratio

10:1

**电气原理图**  
winding drawing



**励磁顺序 vs. 旋转方向**  
Exciting Sequence vs. Direction of Rotation

STEP	A	B	C	D
1	+	+	-	-
2	-	+	+	-
3	-	-	+	+
4	+	-	-	+

从安装面看为顺时针方向  
Clockwise view from mounting side

**未注线性尺寸公差**

Tolerance for linear and dimensions without individual tolerance indications  
GB/T 1804-M eqv ISO 2768-1:M

**未注形位尺寸公差**

Geometrical tolerance for features without individual tolerance indications  
GB/T 1184-K eqv ISO 2768-2:K

**批准 Approved**

工艺 Technology	
审核 Checked	
设计 Inspectide	
名称 Names	
签名 Signature	
日期 Date	

**物料编号**  
Item No

重庆优摩特科技有限公司  
Chongqing Umot technology Co. Ltd.

**绝缘等级**  
Insulation class

B Class

**电机重量**  
Weight

0.85 Kg

**相电阻**  
Winding resistance

1.65±10% ohm(20°C)

**相电感**  
Winding inductance

3.2±20% mH (1kHz)

**转动惯量**  
Rotor Inertia

50 g·cm²

**保持转矩**  
Holding Torque

≥ 380mN·m

**额定电压**  
Rated Voltage

DC 2.8V

**额定电流**  
Rated current

DC 1.68A

**步距角**  
Step Angle

1.8°

**相数**  
Number of phase

2

**减速比**  
Ratio

10:1

**电气原理图**  
winding drawing



**励磁顺序 vs. 旋转方向**  
Exciting Sequence vs. Direction of Rotation

STEP	A	B	C	D
1	+	+	-	-
2	-	+	+	-
3	-	-	+	+
4	+	-	-	+

从安装面看为顺时针方向  
Clockwise view from mounting side

**未注线性尺寸公差**

Tolerance for linear and dimensions without individual tolerance indications  
GB/T 1804-M eqv ISO 2768-1:M

**未注形位尺寸公差**

Geometrical tolerance for features without individual tolerance indications  
GB/T 1184-K eqv ISO 2768-2:K

**批准 Approved**

工艺 Technology	
审核 Checked	
设计 Inspectide	
名称 Names	
签名 Signature	
日期 Date	

**物料编号**  
Item No

重庆优摩特科技有限公司  
Chongqing Umot technology Co. Ltd.

**绝缘等级**  
Insulation class

B Class

**电机重量**  
Weight

0.85 Kg

**相电阻**  
Winding resistance